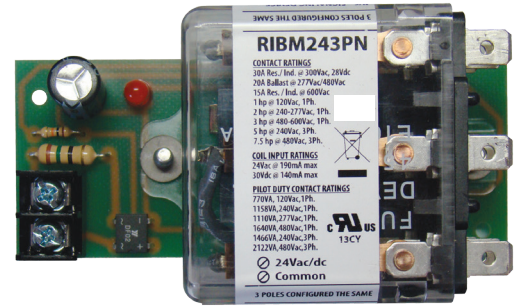
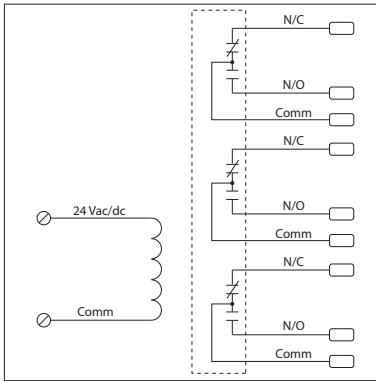


30 AMP TRACK MOUNT CONTROL RELAY

RIBM243PN

4.00" Track Mount Relay 30 Amp 3PDT with 24 Vac/dc Coil



RELAYS

SPECIFICATIONS

Relays & Contact Type: One (1) 3PDT Continuous Duty Coil
Expected Relay Life: 10 million cycles minimum mechanical
Operating Temperature: -30 to 140° F
Humidity Range: 5 to 95% (noncondensing)
Operate Time: 20ms
Relay Status: LED On = Activated
Dimensions: 2.450" x 4.000" x 1.750"
Track Mount: 4.000", See MT4 Series on page 152
MT4 Mounting Track Sold Separately
Approvals: UL Component Recognized, UL916
 C-UL, California State Fire Marshal
Gold Flash: No
Override Switch: No

Contact Ratings:
 30 Amp General Use @ 300 Vac
 30 Amp Resistive @ 28 Vdc
 20 Amp Ballast @ 277-480 Vac
Not rated for Electronic Ballast
 15 Amp Resistive @ 600 Vac
 7.5 HP @ 480 Vac, 3 Phase
 5 HP @ 240 Vac, 3 Phase
 3 HP @ 480-600 Vac, 1 Phase
 2 HP @ 240-277 Vac, 1 Phase
 1 HP @ 120 Vac, 1 Phase
 Heavy Pilot Duty @ 600 Vac
 770 VA @ 120 Vac, 1 Phase
 1158 VA @ 240 Vac, 1 Phase
 1110 VA @ 277 Vac, 1 Phase
 1640 VA @ 480 Vac, 1 Phase
 1466 VA @ 240 Vac, 3 Phase
 2122 VA @ 480 Vac, 3 Phase

Coil Current:
 190 mA @ 24 Vac
 140 mA @ 30 Vdc
Coil Voltage Input:
 24 Vac/dc ; 50-60 Hz
 Drop Out = 3 Vac / 3.8 Vdc
 Pull In = 20 Vac / 22 Vdc